

NOTES:

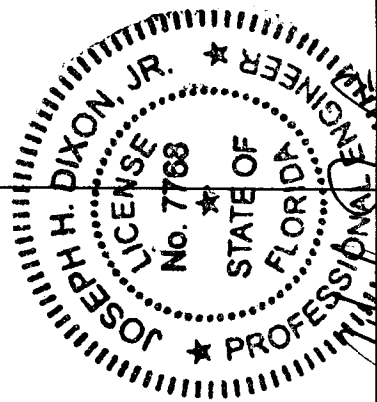
- 1 THESE DOORS HAVE BEEN EVALUATED TO COMPLY WITH THE FLORIDA BUILDING CODE.
- 2 INTERMEDIATE SUPPORT(S) IS FURNISHED FOR DOORS OVER 14' WIDE.
- 3 BRACKET SIZE VARIES BASED ON SLAT TYPE AND DOOR SIZE.
- 4 WINDLOCKS ON EVERY SLAT.
- 5 DOORS USED IN THE HVHZ SHALL NOT HAVE WIDTH IN EXCESS OF THE TEST DOOR WIDTH OF 26'-0" AND SHALL NOT EXCEED THE DESIGN PRESSURE OF +/- 52.0 PSF.

NO.	BY	DATE	REVISION
1	RG	4/9/12	FLA CODE COMPLIANCE
2	RG	4/30/07	2004 CODE COMPLIANCE
3	RG	12/20/06	2004 CODE COMPLIANCE
4	RG	4/29/04	ORIGINAL DRAWING

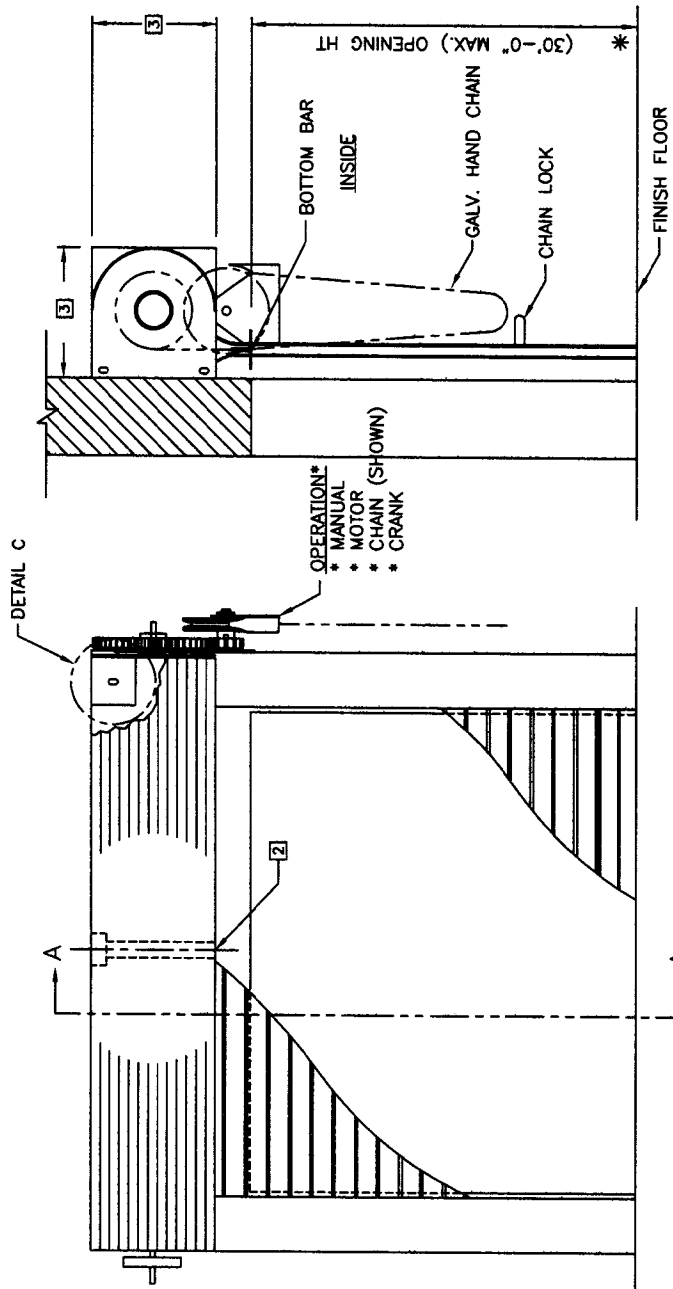


COOKSON ROLLING DOORS
 2417 S. 50TH AVE
 PHOENIX, AZ 85043
 800 TULIP DRIVE
 GASTONIA, NC 28052

FLORIDA WIND DOORS, DESIGN TYPE C
 ENG NAME: JOSEPH H. DIXON JR / COOKSON APPROVAL
 DISCIPLINE: STRUCTURAL BY:
 FLA REGISTRATION: 7768 DATE:
 DWG NO. WLCD-003-C-2004 1 OF 3



Handwritten signature and date
 4/12/12



SECTION A-A

DOOR WIDTH UP TO	#4	#45	#4	#45
12'	±186.6	±216.6	±49.1	±50.8
13'	±161.9	±184.6	±46.4	±47.9
14'	±142.3	±159.9	±43.9	±45.3
14'-4"	±136.7	±152.9	±41.7	±42.9
15'	±126.5	±140.3	±39.6	±40.7
16'	±113.5	±124.5	±37.7	±38.7
17'	±102.6	±111.5	±36.0	±36.8
18'	±93.4	±100.7	±34.4	±35.2
19'	±85.5	±91.5	±32.9	±33.6
20'	±78.7	±83.8	±31.5	±32.1
21'	±72.8	±77.0	±30.2	±30.8
22'	±67.6	±71.2	±29.0	±29.5
23'	±63.0	±66.1	±27.9	±28.3
24'	±58.9	±61.6	±26.8	±27.3
25'	±55.3	±57.5		
26'	±52	±54		

DOOR WIDTH UP TO	#4	#45	#4	#45
12'	±186.6	±216.6	±49.1	±50.8
13'	±161.9	±184.6	±46.4	±47.9
14'	±142.3	±159.9	±43.9	±45.3
14'-4"	±136.7	±152.9	±41.7	±42.9
15'	±126.5	±140.3	±39.6	±40.7
16'	±113.5	±124.5	±37.7	±38.7
17'	±102.6	±111.5	±36.0	±36.8
18'	±93.4	±100.7	±34.4	±35.2
19'	±85.5	±91.5	±32.9	±33.6
20'	±78.7	±83.8	±31.5	±32.1
21'	±72.8	±77.0	±30.2	±30.8
22'	±67.6	±71.2	±29.0	±29.5
23'	±63.0	±66.1	±27.9	±28.3
24'	±58.9	±61.6	±26.8	±27.3
25'	±55.3	±57.5		
26'	±52	±54		

FASTENER SCHEDULE

WINDLOCK SPACING	CONCRETE ANCHOR	MINIMUM EMBEDMENT	WALL ANGLE BOLTS (GRADE 5)	GUIDE ANGLE ASSY BOLTS (GRADE 5)
1	3/4" Ø 6" O.C.	4	3/4" Ø 16" O.C. 1/2" Ø 18" O.C.	1/2" Ø 18" O.C.
NON-HVHZ	3/4" Ø 6" O.C.	4	3/4" Ø 16" O.C. 1/2" Ø 18" O.C.	1/2" Ø 18" O.C.

CONCRETE 4000 PSI MIN.

FLORIDA WIND DOORS, DESIGN TYPE C

NOTES:

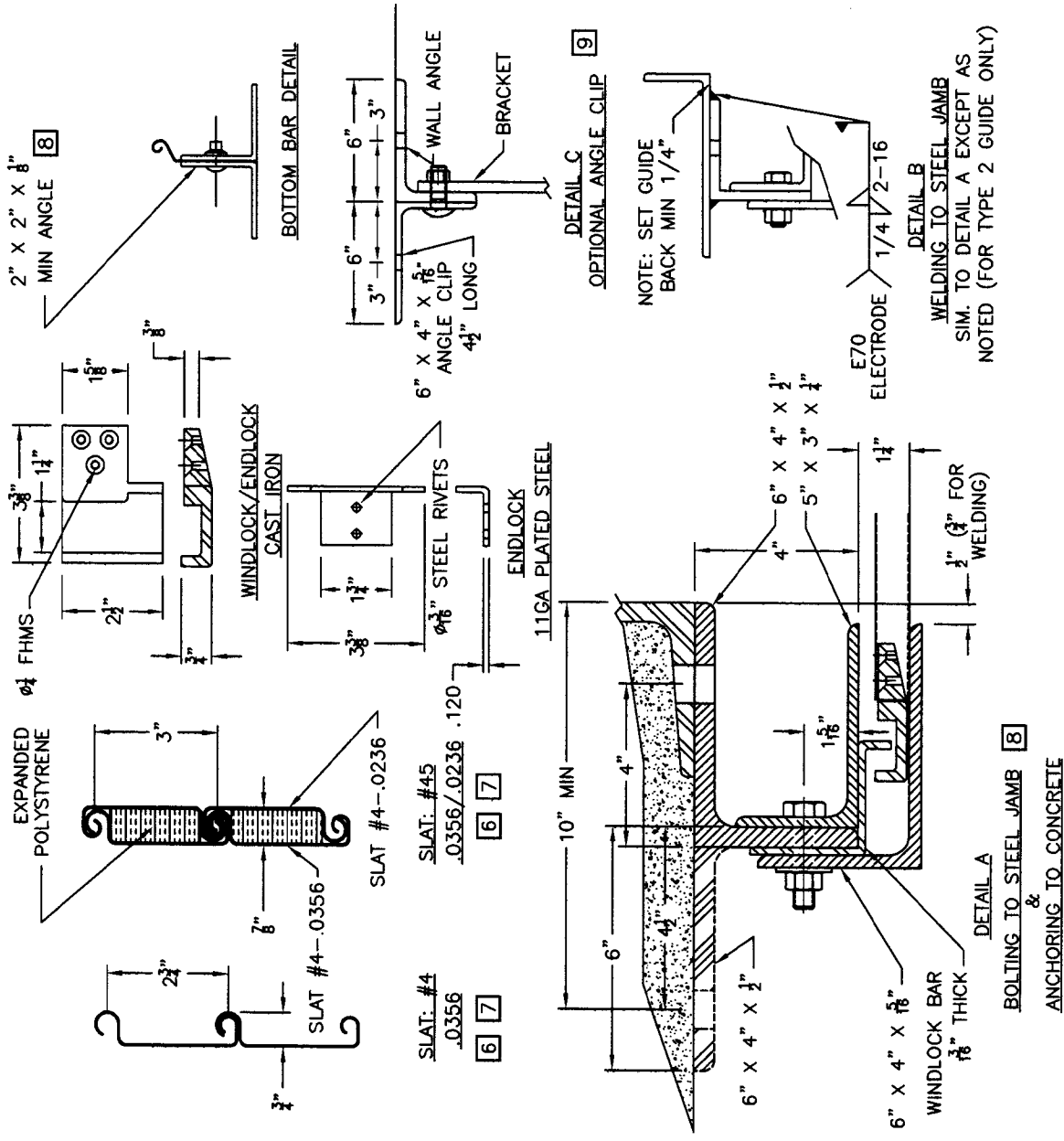
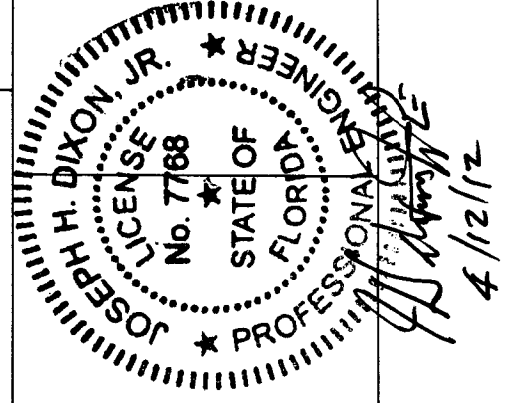
- [6] SLAT MATL: GALVANIZED STEEL OR STAINLESS STEEL.
- [7] DECIMAL THICKNESS LISTED IS MINIMUM.
- [8] GUIDE/BOTTOM BAR MATL: STEEL OR STAINLESS STEEL.
- [9] ADDITIONAL ANGLE CLIP REQUIRED FOR DOORS OVER 26" WIDE OR 20' HIGH.

NO.	BY	DATE	REVISION
3	RG	4/9/12	FLA CODE COMPLIANCE
2	RG	4/30/07	2004 CODE COMPLIANCE
1	RG	12/20/06	2004 CODE COMPLIANCE
	RG	4/29/04	ORIGINAL DRAWING

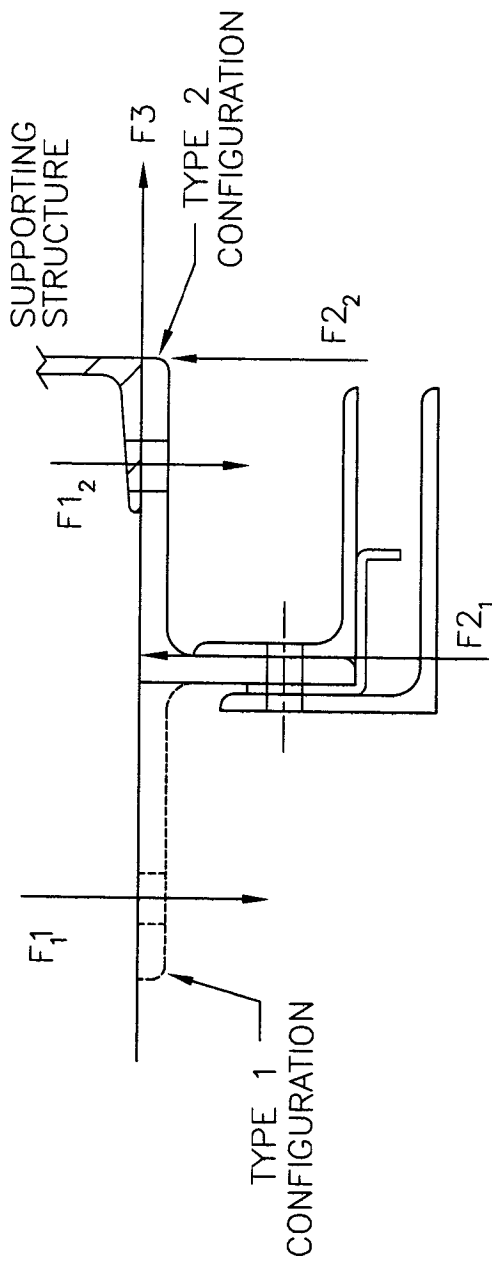


COOKSON ROLLING DOORS
 2417 S. 50TH AVE
 PHOENIX, AZ 85043
 800 TULIP DRIVE
 GASTONIA, NC 28052

FLORIDA WIND DOORS, DESIGN TYPE C
 ENG NAME: JDSEPH H. DIXON JR. COOKSON APPROVAL
 DISCIPLINE: STRUCTURAL BY:
 FLA REGISTRATION: 7768 DATE:
 DWG NO. WLCD-0D3-C-20D4 2 OF 3



FLORIDA WIND DOORS, DESIGN TYPE C



FORCE ON STRUCTURE (#/FT.)

TYPE 1 GUIDE CONFIGURATION		TYPE 2 GUIDE CONFIGURATION		
POSITIVE		NEGATIVE		
F1	F2	F1	F2	F3
3109	2431	3839	4412	5090
		3839	8860	8182
		3839	8062	8740
		3839		3839

FLORIDA WIND DOORS, DESIGN TYPE C

NO.	BY	DATE	REVISION
3	RG	4/19/12	FLA CODE COMPLIANCE
2	RG	4/30/07	2004 CODE COMPLIANCE
1	RG	12/20/06	2004 CODE COMPLIANCE
	RG	4/29/04	ORIGINAL DRAWING



COOKSON ROLLING DOORS
2417 S. 50TH AVE.
PHOENIX, AZ 85043
800 TULIP DRIVE
GASTONIA, NC 28052

FLORIDA WIND DOORS, DESIGN TYPE C
ENG NAME: JOSEPH H. DIXON JR. / COOKSON APPROVAL
DISCIPLINE: STRUCTURAL BY:
FLA REGISTRATION: 7768 DATE:
DWG NO. WLC0-003-C-2004 3 OF 3

